



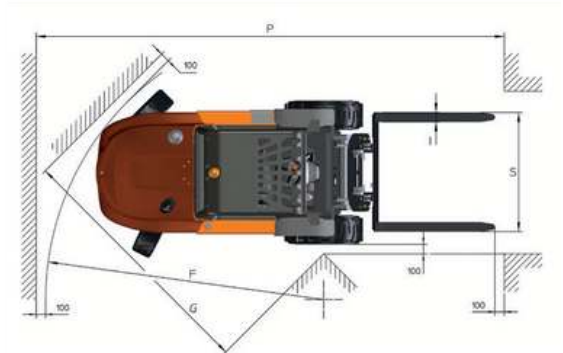
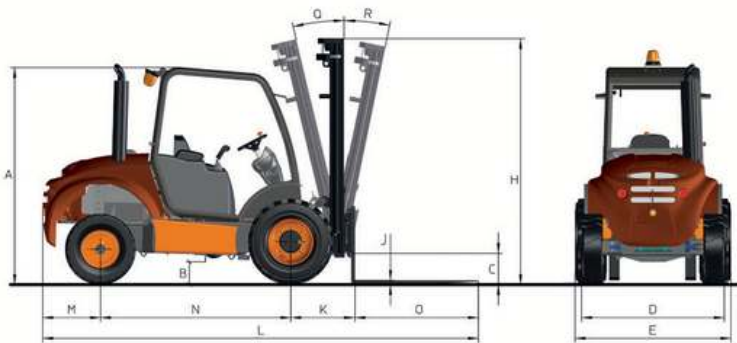
TECHNICAL DATA

GENERAL		C 250 H M206	C 250 H x4 M207
Load capacity to 20"	lb	5,500	5,500
Load capacity to 24"	lb	5,000	5,000
Unladen weight *	lb	9,700	9,700
Transmission	-	Hydrostatic, with continuous speed control	Hydrostatic, with continuous speed control
MAST			
Fork carriage	-	FEM 2	FEM 2
Carriage width	in	1,260/1,660	1,260/1,660
ENGINE			
Make	-	KUBOTA	KUBOTA
Model	-	V2403	V2403
Power	hp	48.9	48.9
Operating speed	r/min	2,600	2,600
Torque	Nm@rpm	158,6@1600	158,6@1600
No. cylinders	-	4	4
Emissions	-	Stage IIIA - Tier4i	Stage IIIA - Tier4i
Ambient noise	dB(A)	104	104
Consumption	gal/h	1.55	1.55
CO ₂	lb/h	33.7	33.7
DRIVING			
Max speed	mph	13.6	13.6
Gradability	%	25	25
Traction	-	4x2	4x4 FullGrip®
Front tyres	-	12x16.5	12x16.5
Rear tyres	-	7.00-12	10.0/75-15.3
HYDRAULIC SYSTEM			
Hydraulic circuit			
Working pressure	gal/min	11	11
TANK CAPACITY	psi	3,000	3,000
Fuel			
Hydraulic	ga	13.2	13.2
	l	10.5	10.5
BRAKES			
Service	ga		
Parking	l -	Hydraulic, multi-disc and sealed	Hydraulic, multi-disc and sealed
	-	Spring-loaded, multi-disc and sealed	Spring-loaded, multi-disc and sealed

* It may change due to optional equipment

DIMENSIONS

TYPE OF MAST	Maximum lift (ft)	H		Free lift (in)	Load at maximum height (lb)	
		Retracted mast height (in)	Extended mast height (in)		Narrow axle	All-terrain use Wide axle
Duplex mast	10.82	96.8	165.9	4.7	5,511	-
(Std.) Triplex mast	12.14	83.4	183.6	44.4	4,850	-
Triplex mast	14.11	90.5	208.6	52.3	-	4,629
Triplex mast	17.71	105.7	150.7	66.1	-	2,425



DIMENSIONS (in)	C 250 H	C 250 H x4
A	84.2	85.6
B	9.8	10.6
C	14.5	14
D	54.4	60.9
E	59.8	59.8
E**	70	70
F	116.1	156.3
G	108.5	109.6
I	5.1	5.1
J	1.8	1.8
K	24.6	25.4
L	167.3	167.9
M	22.6	22.4
N	72.8	72.8
O	47.2	47.2
P	195.8	236.8
Q	0.5	0.5
R	0.5	0.5
S	47.2	47.2
S***	63	63

** Measured with high-lift mast installed**Measured for wide axle carriage

 **HOIST** +39 335 8355930
VENDITA E NOLEGGIO DI SISTEMI AD ALTA QUOTA 081 18962737

piattaformaereehoist.it

Products are subject to modifications without prior notice. Images throughout the spec sheet may refer to non-standard machines or non-available configurations depending on models.

AUSA's logo and corporate identity are property of the Company, they cannot be used without authorization.