

HOIST

VENDITA E NOLEGGIO DI SISTEMI AD ALTA QUOTA

C 500 H



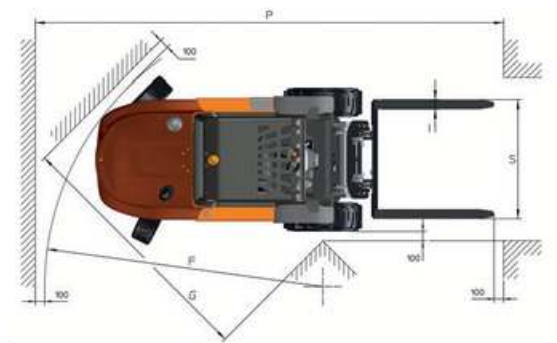
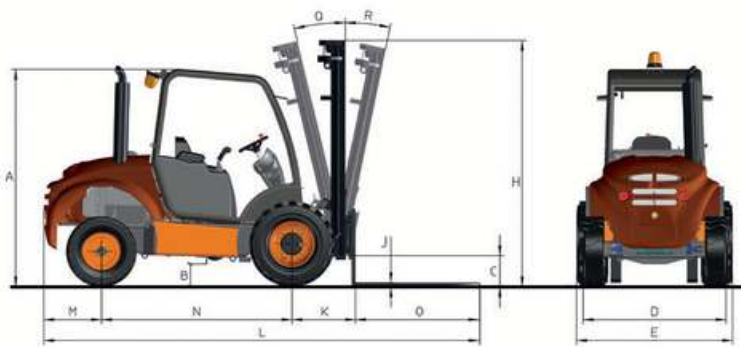
TECHNICAL DATA

GENERAL		C 500 H	C 500 H x4
Load capacity			
to 500 mm	K	-	-
to 600 mm Unladen	g	5000	5000
weight * Transmission	K	7716	7716
MAST Fork carriage	g	Hydrostatic, with continuous speed control	Hydrostatic, with continuous speed control
Carriage width	K		
ENGINE			
Make Model Power	g	FEM 4	FEM 4
Operating speed Torque	mm	1660	1660
No. cylinders Emissions			
Ambient noise		DEUTZ	DEUTZ
DRIVING			
Max. speed Gradability		TD3.6	TD3.6
Traction Front tyres Rear	kW	55.4	55.4
tyres	rpm	2200	2200
HYDRAULIC			
SYSTEM Hydraulic circuit	Nm@rpm	330@1600	330@1600
Working pressure	TANK	4	4
CAPACITY Fuel Hydraulic		EU Stage IIIB + EPA/CARB Tier 4	EU Stage IIIB + EPA/CARB Tier 4
BRAKES Service Parking	dB(A)	104	104
	Km/h	21	20
	%	35	35
		4x2	4x4 FullGrip®
		18-19.5	18-19.5
		8.15-15	10.0/75-15.3
	l/min	59	59
	bar	230	230
	l	120	120
	l	95	95
		Hydraulic, multi-disc and sealed	Hydraulic, multi-disc and sealed
		Mechanical, multi-disc and sealed	Mechanical, multi-disc and sealed

* It may change due to optional equipment

DIMENSIONS

TYPE OF MAST		Maximum lift (mm)	H Retracted mast height (mm)	Extended mast height (mm)	Free lift (mm)	Load at maximum height (kg) All-terrain use
Duplex mast		3700	2750	4585	100	5000
(Std.) Triplex mast		4250	2350	5260	1393	4000
Triplex mast		5450	2750	6460	1793	1880



DIMENSIONS (mm)	C 500 H	C 500 H x4
A	2330	2330
B	270	270
C	290	290
D	1630	1682
E	1987	1987
E**	1987	1987
F	3280	4450
G	3065	3170
I	120	120
J	50	50
K	720	720
L	4620	4620
M	710	650
N	1990	2050
O	1200	1200
P	5400	6570
S	1660	1660
S***	1660	1660
DIMENSIONS (°)		
Q	10	10
R	10	10

** Measured with high-lift mast installed

***Measured for wide axle carriage